

 Nakamichi
DRAGON

SURROUND SPEAKERS

WALL MOUNTS



Owner's Manual

IMPORTANT SAFETY INSTRUCTIONS

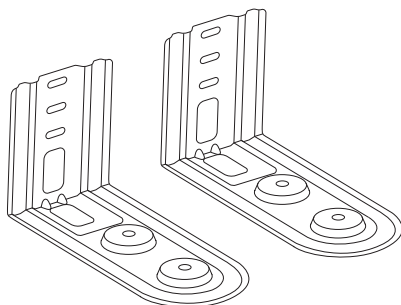
DRAGON Wall Mounts are designed and manufactured to function within defined design limits. Incorrect installation or misuse may result in product damage or injury. To prevent DRAGON Wall Mounts from being damaged, the following rules should be observed during installation, use and maintenance. Please read the following safety instructions before operating. Nakamichi LLC shall bear no responsibility for any damage or injury resulting from incorrect installation, assembly or misuse. Keep these instructions in a safe place for future reference.

- Read, keep and follow all instructions.
- Do not overload the wall mount. Refer to package contents page for the maximum load of the wall mount.
- The instruction manual covers standard residential drywall installation. For concrete wall installation, seek professional assistance.
- As per article 400.8 in the NEC (National Electrical Code), do not run power cables (including ones supplied with DRAGON) through a wall as a substitute for permanent wiring, i.e. wired outlets.
- Clean only with a dry cloth.
- Do not block any hardware component ventilation openings.
- Do not install near any heat sources such as radiators, heat registers, stoves, or other apparatus that produce heat.
- Protect the power cord from being walked on or pinched, particularly at plugs, convenience receptacles, and the point where they exit from DRAGON Wall Mounts.
- Do not install DRAGON Wall Mounts in an area with heavy dust or high humidity. Operating DRAGON in environments with heavy dust or high humidity may cause fire or electric shock.
- Ensure that the power cord and any other cables are unplugged before moving DRAGON.
- To prevent injury, DRAGON Wall Mounts must be securely attached to the wall in accordance with the installation instructions.

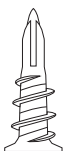


This wall mount is intended for use only with Nakamichi DRAGON Surround Speakers.

1 Package Contents

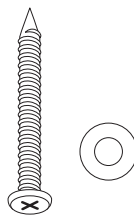


L-Shaped Wall Mount Brackets x 2



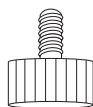
25mm / 0.98"

Wall Mount Anchors x 8
(2 anchors are extra)



#7 x 2"

Wall Mount Screws (2")
w/ Washer x 6



Mounting Screws x 4

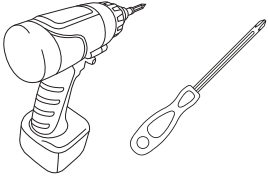


Each DRAGON Surround Speaker Wall Mount is engineered to support a unit weighing up to 20 lbs.

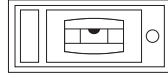
Before starting assembly, verify all parts are included and undamaged. If any part is missing or damaged, contact Nakamichi's Customer Service. Never use damaged parts!

1 Package Contents

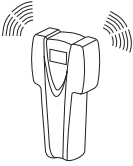
Tools required for installation (not included):



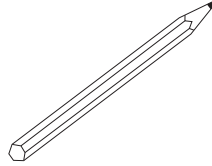
Power Drill or equivalent



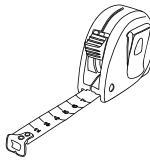
Leveler



Stud Finder



Pencil

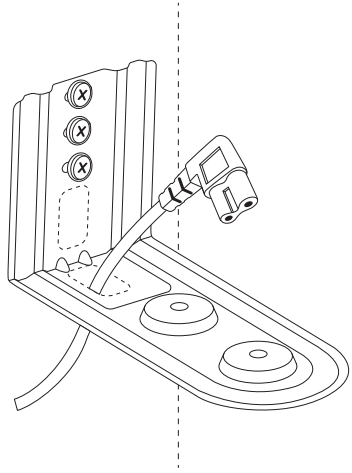


Measuring Tape

2 Installation

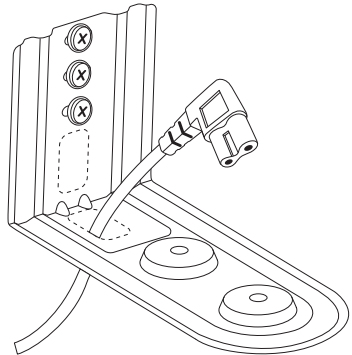
Installing bracket on wood studs?

Wood Stud →

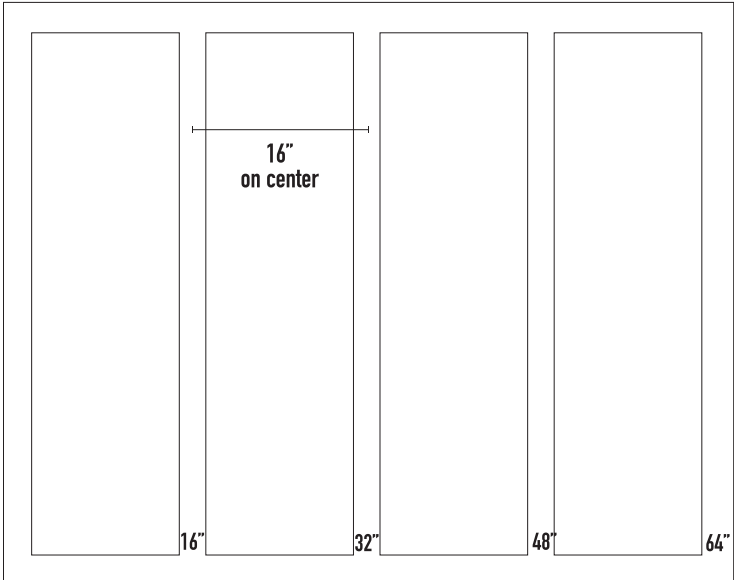


YES
Continue to Section 2A (Pg 6)

NO
Skip ahead to Section 2B (Pg 12)



2A Installation on Wood Studs



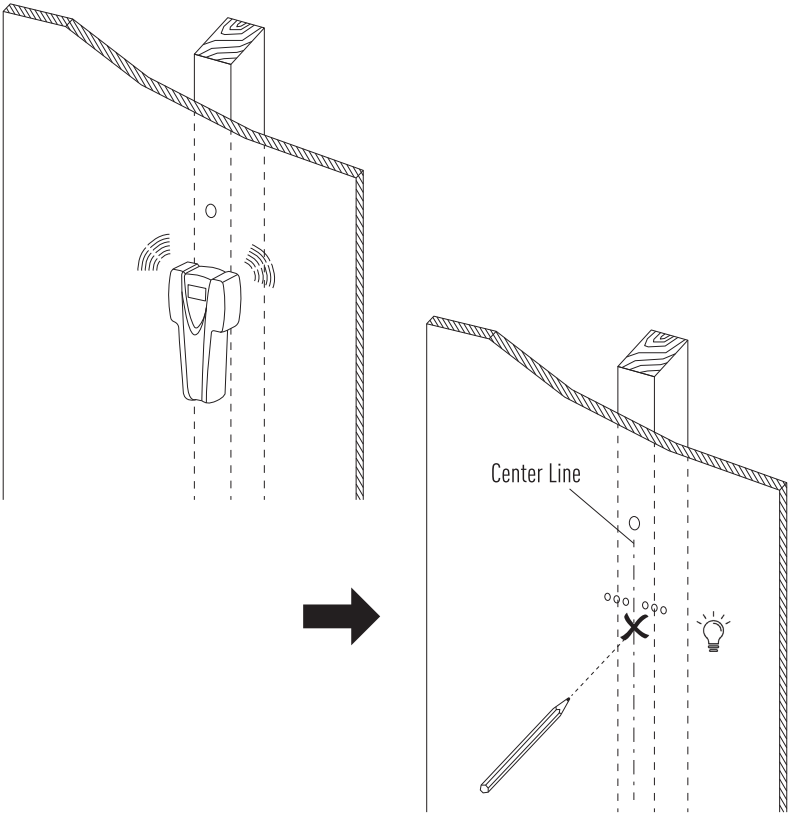
Example of Wood Stud Wall



For optimal support, we recommend securing the surround speaker wall mounts to wood studs. If you are unfamiliar with installation, seek professional assistance.

2A Installation on Wood Studs

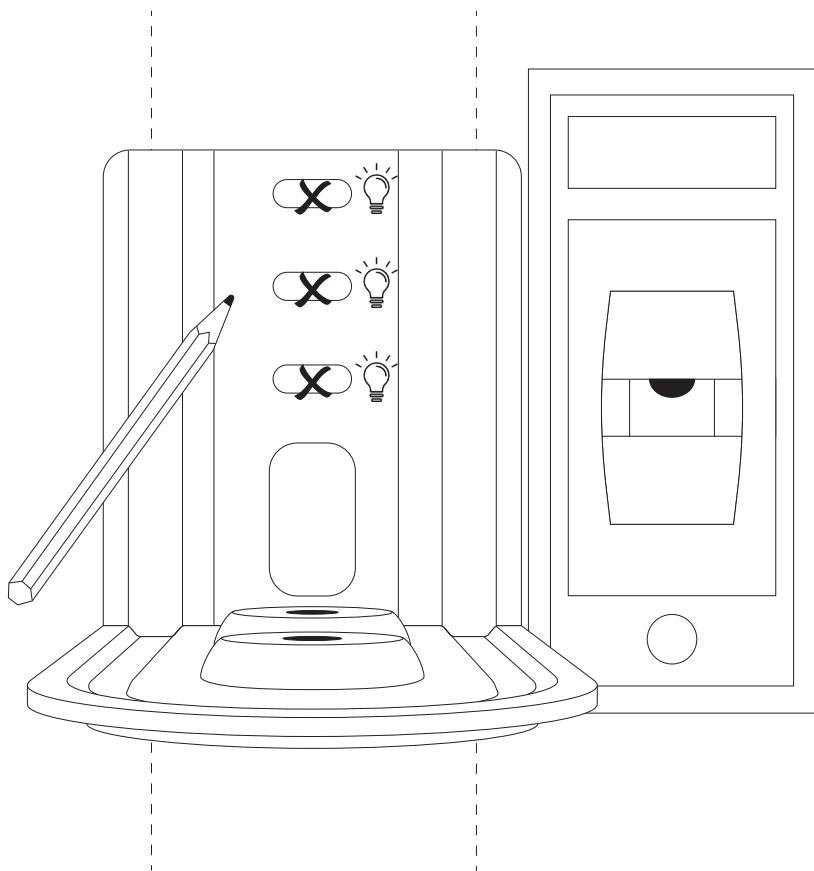
Locate the wall studs using a stud finder. Mark the center position of the wall stud.



For optimal support, we recommend securing the surround speaker wall mounts to wood studs. If you are unfamiliar with installation, seek professional assistance.

2A Installation on Wood Studs

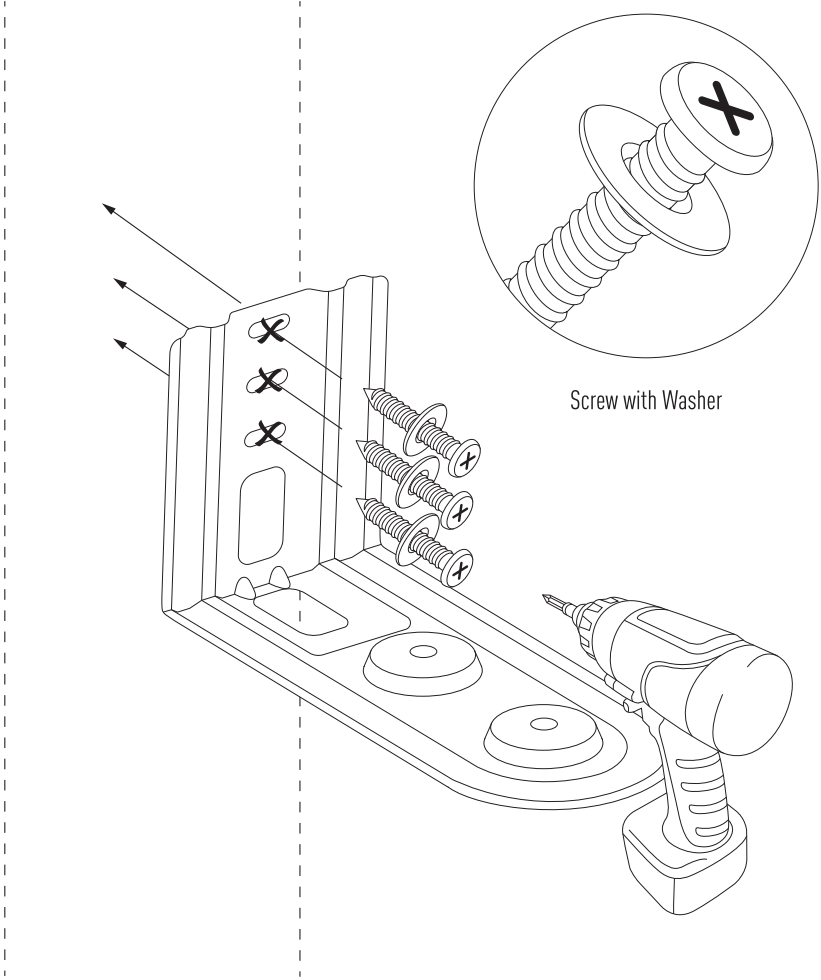
Use leveler to ensure the wall mount is straight. Mark the screw hole positions.



Use a measuring tape to ensure the holes for both surround speaker wall mounts are marked at the same height.

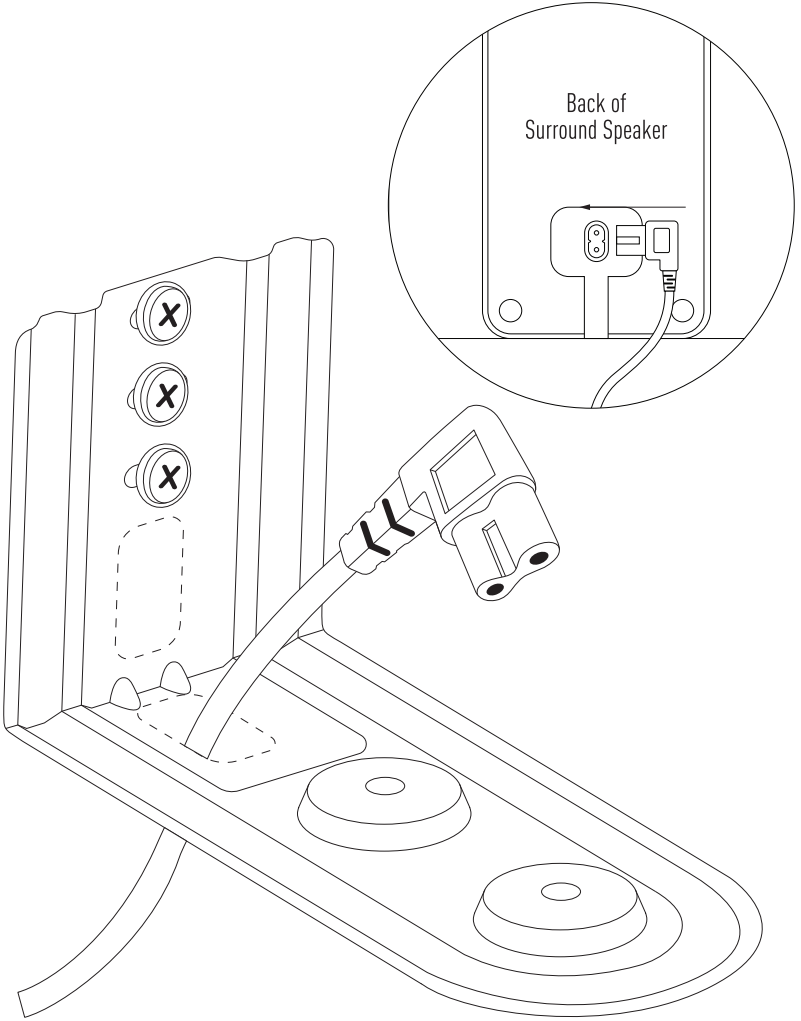
2A Installation on Wood Studs

Install the 3 screws with the washers into the wood studs.



2A Installation on Wood Studs

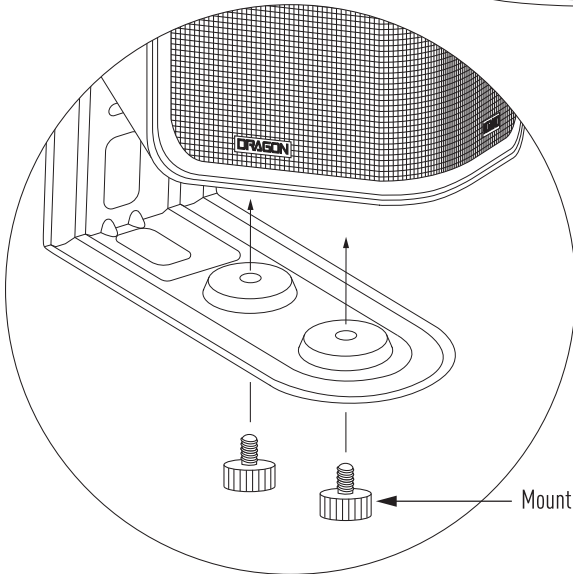
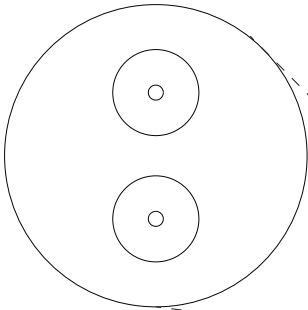
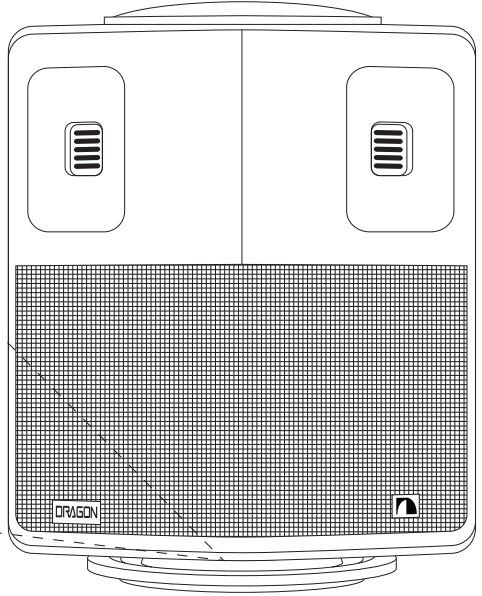
Pass surround speaker power cable through the bracket and connect it to DRAGON Surround Speaker.



2A Installation on Wood Studs

Secure DRAGON Surround Speaker onto the bracket with the included mounting screws.

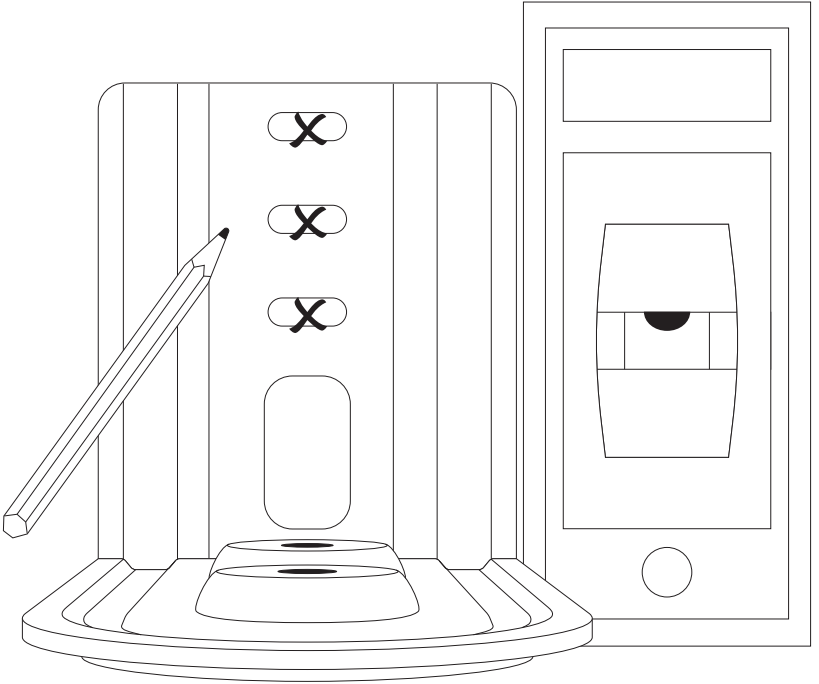
Align the 2 circular protrusions on the bracket with the holes at the bottom of the DRAGON Surround Speaker.



Mounting Screws

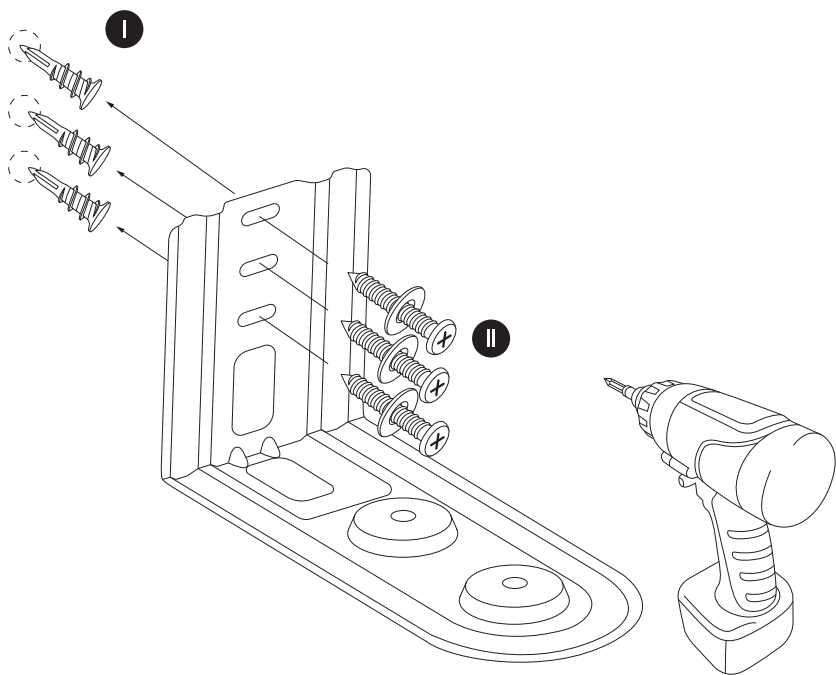
2B Installation Without Wood Studs

Use leveler to ensure the wall mount is straight. Mark the screw hole positions.

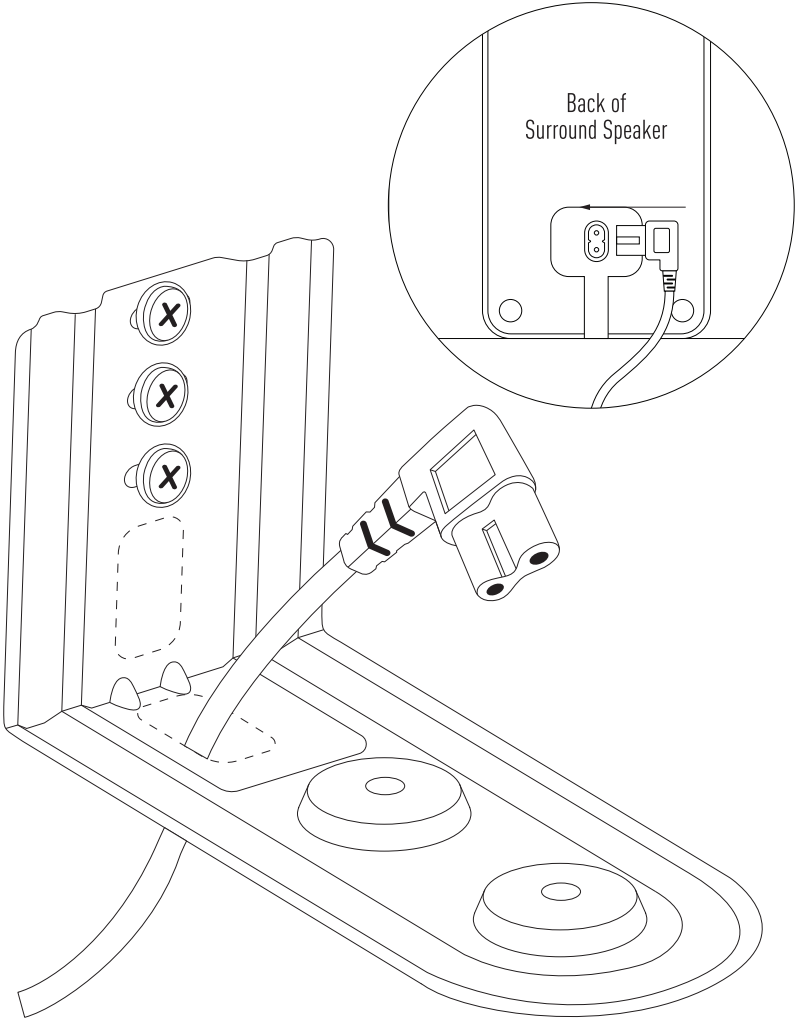


2B Installation Without Wood Studs

- I Drill, then firmly insert 3 anchors into the wall positions marked.
- II Securely fasten the washers and screws into the anchors.



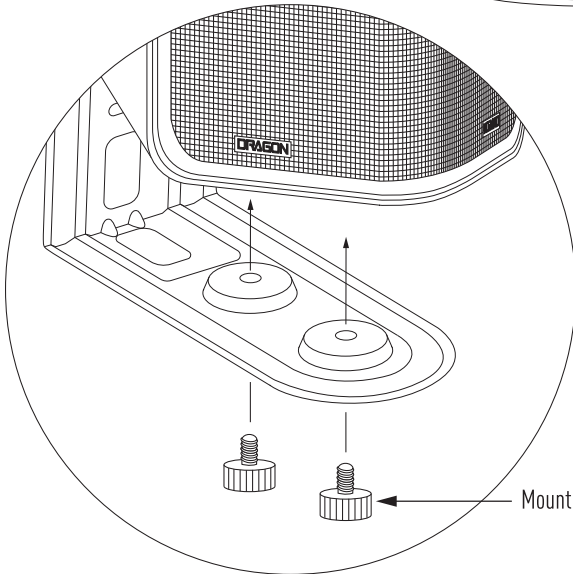
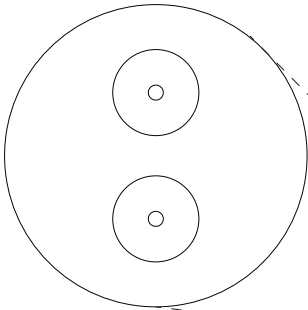
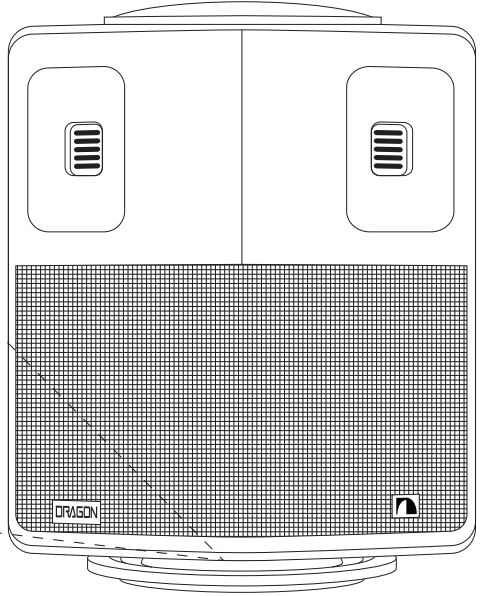
2B Installation Without Wood Studs



2B Installation Without Wood Studs

Secure DRAGON Surround Speaker onto the bracket with the included mounting screws.

Align the 2 circular protrusions on the bracket with the holes at the bottom of the DRAGON Surround Speaker.



3 Warranty Information

LIMITED WARRANTY (U.S. Only)

Nakamichi LLC, maker of Nakamichi® branded products ("Nakamichi"), provides the following limited warranty for certain Nakamichi products ("Product(s)") to the original purchaser. This warranty assures that Products will be free from defects in material and workmanship under normal use during the Applicable Warranty Period(s) listed below, which starts from the date of original purchase. To avail of this limited warranty, the Products must be purchased from Nakamichi or an authorized seller, as permitted by law. Only authorized sellers, following Nakamichi's policies, procedures, and quality control standards, legitimately sell Nakamichi Products. Warranty claims from purchasers who bought Products from unauthorized sellers, including unauthorized Internet sites, may be rejected by Nakamichi.

What We Will Do:

In the event of a valid warranty claim after investigation by Nakamichi, we will replace any defective Product part free of charge.

Warranty Period:

This Nakamichi Product is covered by a five (5) years of limited warranty.

How to Get Warranty Service:

For warranty service, purchasers with a Product defect claim should call Nakamichi at 1-415-888-9626. We will discuss the issue with you, and upon confirming that the Product is under warranty, replacement parts will be dispatched to you at no cost. However, please note that the costs associated with removing and replacing defective parts from your Nakamichi Product are not covered by this limited warranty. If a repair technician is required, you will be responsible for any labor charges incurred.

Additional Exclusions:

Normal wear and tear, damage due to misuse, alterations to the Product, negligence, or any modification made to your Nakamichi Product will render this limited warranty void. Improper installation, exceeding the stated weight capacity, or any form of misuse or abuse will also void this warranty. Nakamichi Products are designed solely for indoor use, and any outdoor use will nullify this limited warranty unless explicitly marked for outdoor use by Nakamichi. As per article 400.8 in the NEC (National Electrical Code), do not run power cables (including ones supplied with DRAGON) through a wall as a substitute for permanent wiring, i.e. wired outlets. Additionally, the limited warranty for wall mounts becomes void if the mount is relocated from its initial installation.

Nakamichi LLC intends to make this manual accurate and complete. However, Nakamichi LLC makes no claim that the information contained herein covers all details, conditions, or variations. Nor does it provide for every possible contingency in connection with the installation or use of this product. The information contained in this document is subject to change without notice or obligation of any kind. Nakamichi LLC makes no representation of warranty, expressed or implied, regarding the information contained herein. Nakamichi LLC assumes no responsibility for the accuracy, completeness, or sufficiency of the information contained in this document.

3 Warranty Information

Limitation of Liability:

This limited warranty represents the extent of warranties provided for Nakamichi Products. Any applicable implied warranties, including implied warranties of merchantability or fitness for a particular purpose, are limited to the duration of this warranty. Some states do not allow limitations on how long an implied warranty lasts, so the above limitation may not apply to you. Nakamichi shall not be liable for any special, incidental, or consequential damages (e.g., cost of repairing or replacing other property which may be damaged when the Product does not work properly) arising from breach of this limited warranty, breach of contract, or strict liability. Some states do not allow the exclusion or limitation of incidental or consequential damages, so the above limitation or exclusion may not apply to you. This warranty provides you with specific legal rights, and you may have other rights that vary from state to state.

DRAGON CONCIERGE

If you have any questions or comments, you may reach us at the following:

Visit our website at www.dragon.nakamichi-usa.com

Email us at dragonvip@nakamichi-usa.com

Phone Support: +1 (415) 888 9626 (Weekdays 10am - 6:45pm PST; Saturday 10am - 4:45pm PST)

Join our Community: community.nakamichi-usa.com

VIDEO INSTRUCTIONS

bit.ly/surrounds-wall-mount-installation



SPEAK TO OUR DRAGON CONCIERGE BASED IN CALIFORNIA



dragonvip@nakamichi-usa.com



(415) 888 9626



(Weekdays 10am - 6:45pm PST; Saturday 10am - 4:45pm PST)

NAKAMICHI LLC. ALL RIGHTS RESERVED.