

Nakamichi
DRAGON

SPEAKER STANDS



Owner's Manual

IMPORTANT SAFETY INSTRUCTIONS

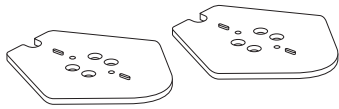
DRAGON Speaker Stands are designed and manufactured to function within defined design limits. Incorrect installation or misuse may result in product damage or injury. To prevent DRAGON Speaker Stands or Omni-Motion Reference Surrounds from being damaged, the following rules should be observed during installation, use and maintenance. Please read the following safety instructions before operating. Nakamichi LLC shall bear no responsibility for any damage or injury resulting from incorrect installation, incorrect assembly or misuse. Keep these instructions in a safe place for future reference.

- Read, keep and follow all instructions.
- Heed all warnings.
- Do not place the speaker stand on slanted or highly uneven floors. Doing so will compromise the stability of any speaker stand.
- Do not tip the speaker stand. A falling speaker stand can cause injury and damage to the stand, mounted speaker and/or surrounding objects.
- Clean only with a dry cloth.
- Do not block any ventilation openings. Install in accordance with the manufacturer's instructions.
- Do not install near any heat sources such as radiators, heat registers, stoves, or other apparatus (including amplifiers) that produce heat.
- Do not defeat the safety purpose of the polarized or grounding-type plug. A polarized plug has two blades with one wider than the other. A grounding type plug has two blades and a third grounding prong. The wide blade or the third prong are provided for your safety. If the provided plug does not fit into your outlet, consult an electrician for replacement of the obsolete outlet.
- Protect the power cord from being walked on or pinched, particularly at plugs, convenience receptacles, and the point where they exit from DRAGON.
- Only use attachments/accessories specified by the manufacturer.
- Use only with the stand or bracket specified by the manufacturer, or sold with DRAGON.
- Refer all servicing to qualified service personnel. Servicing is required when DRAGON has been damaged in any way, such as when the power supply cord or plug is damaged, liquid has been spilled or objects have fallen into DRAGON, DRAGON has been exposed to rain or moisture, does not operate normally, or has been dropped.
- Unplug the power cord before cleaning DRAGON. A damp cloth is sufficient for cleaning. Do not use a liquid or a spray cleaner on DRAGON. Do not use abrasive cleaners.
- When moving DRAGON from an area of low temperature to an area of high temperature, condensation may form in the housing. Wait before turning on DRAGON to avoid causing fire, electric shock, or component damage.
- When connected to a power outlet, power is always flowing into DRAGON. To totally disconnect power, unplug the power cord.
- Do not overload power strips and extension cords. Overloading can result in fire or electric shock.
- The wall socket should be located near DRAGON and be easily accessible.
- Keep DRAGON away from moisture. Do not expose DRAGON to rain or moisture. If water penetrates into DRAGON, unplug the power cord and contact your dealer. Continuous use in this case may result in fire or electric shock.
- Do not use DRAGON if an abnormality occurs. If any smoke or odor becomes apparent, unplug the power cord and contact Nakamichi immediately. Do not try to repair DRAGON yourself.
- Avoid using dropped or damaged appliances. If DRAGON is dropped and the housing is damaged, the internal components may function abnormally. Unplug the power cord immediately and contact Nakamichi for repair.
- Do not install DRAGON in an area with heavy dust or high humidity. Operating DRAGON in environments with heavy dust or high humidity may cause fire or electric shock.
- Ensure that the power cord and any other cables are unplugged before moving DRAGON.
- When unplugging DRAGON, hold the power plug, not the cord. Pulling on the power cord may damage the wires inside the cord and cause fire or electric shock. When DRAGON will not be used for an extended period of time, unplug the power cord.
- To reduce risk of electric shock, do not touch the connector with wet hands.
- The equipment shall be used at maximum 95F ambient temperature.
- See the important note and rating located on the back of the unit.
- **WARNING** - This equipment is not waterproof. To prevent a fire or shock hazard, do not place any container filled with liquid near the equipment (such as a vase or flower pot) or expose it to dripping, splashing, rain or moisture.
- To prevent injury, DRAGON must be securely attached to the floor/wall in accordance with the installation instructions.

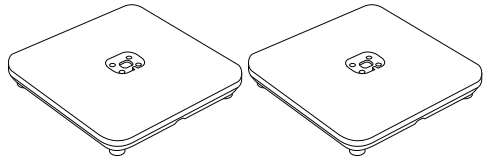


These Speaker Stands are intended for use only with Nakamichi DRAGON Surround Speakers.

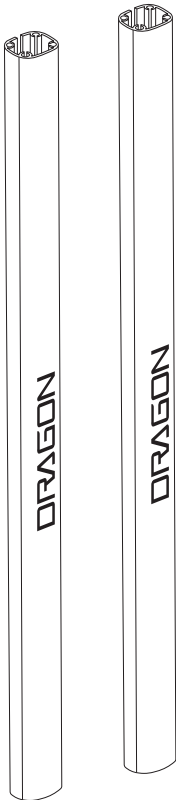
1 Package Contents



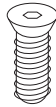
Speaker Platform x 2



Stand Base x 2



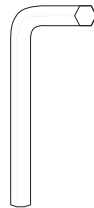
Stand Pole x 2



Allen Head Screw x 16



Mounting Screws for Surround Speakers x 4



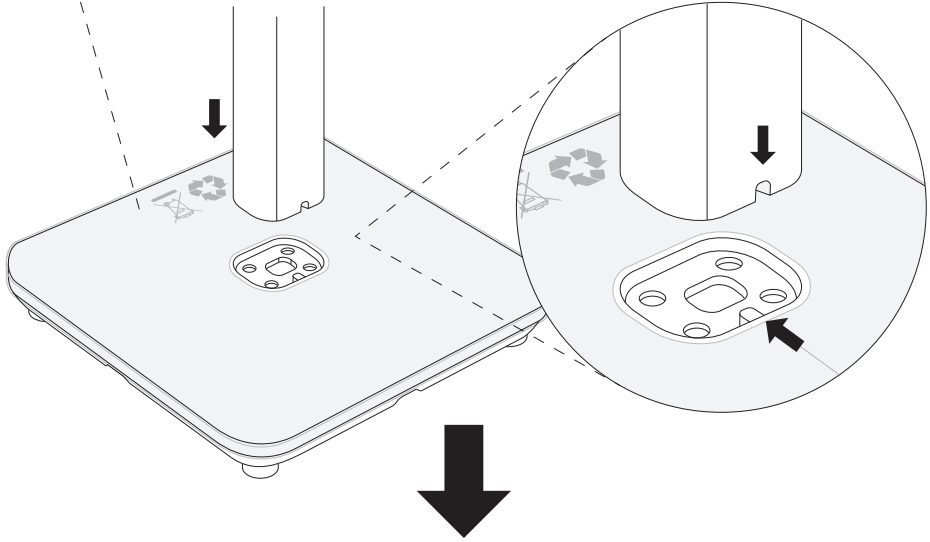
Allen Key x 1

2A Installation

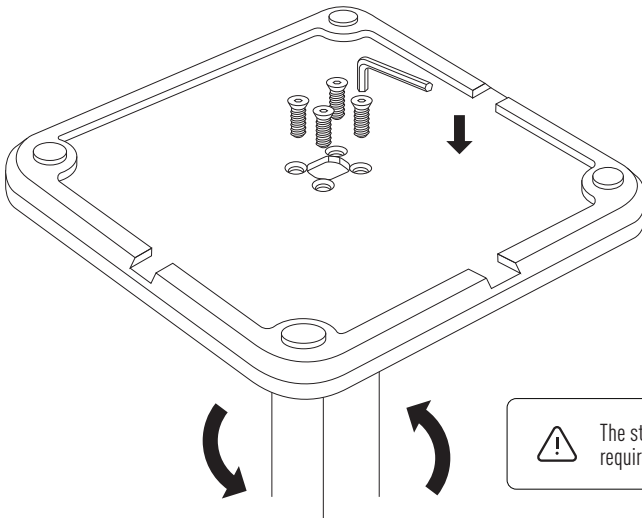
Remove plastic protective layer from pole. Align it to the center of stand base.



Do not remove the base plastic cover until the speaker stand is fully assembled.



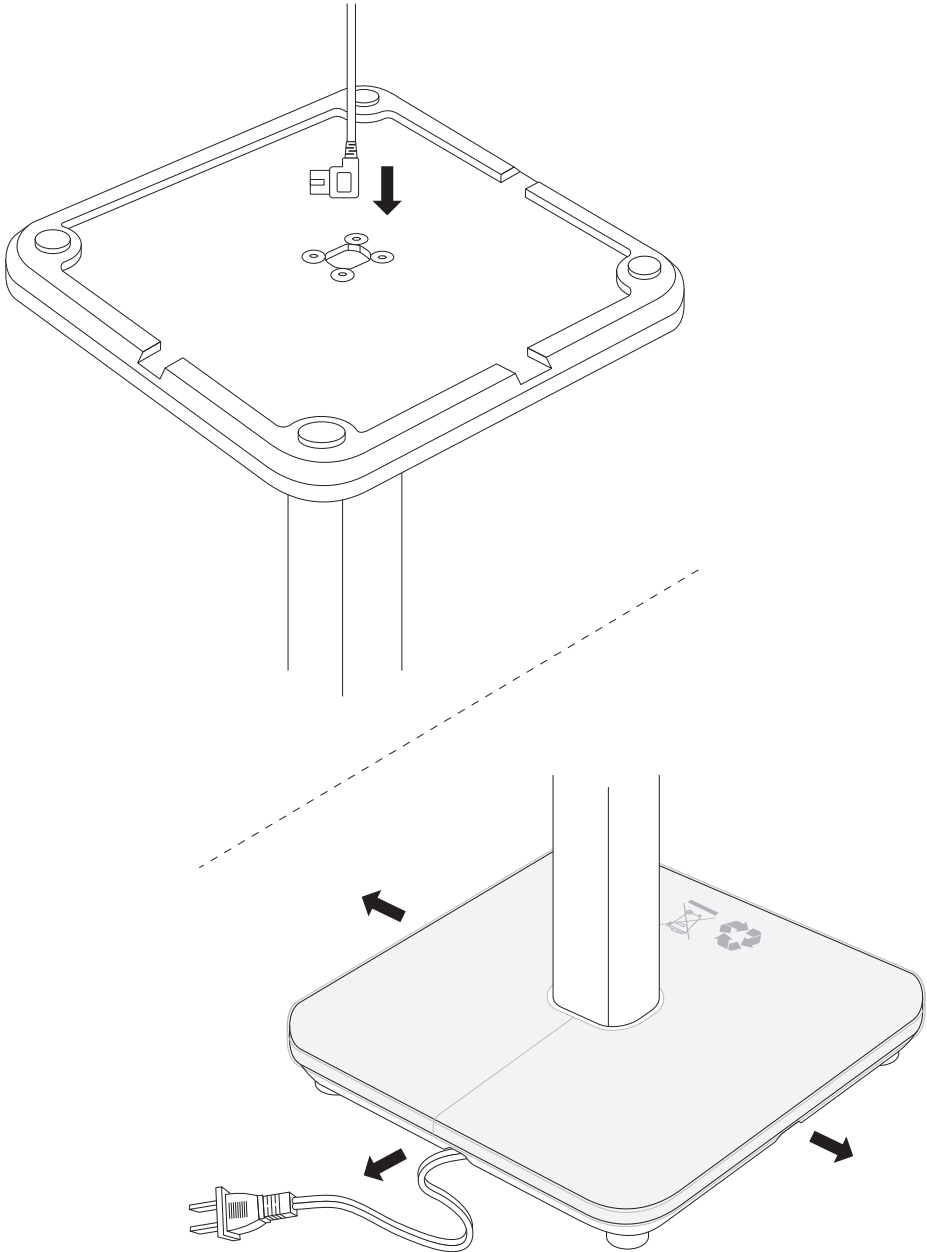
Invert the base of the speaker stand. Insert and fasten 4 screws at the bottom of the stand.



The stand base is heavy, and may require two people to hold it.

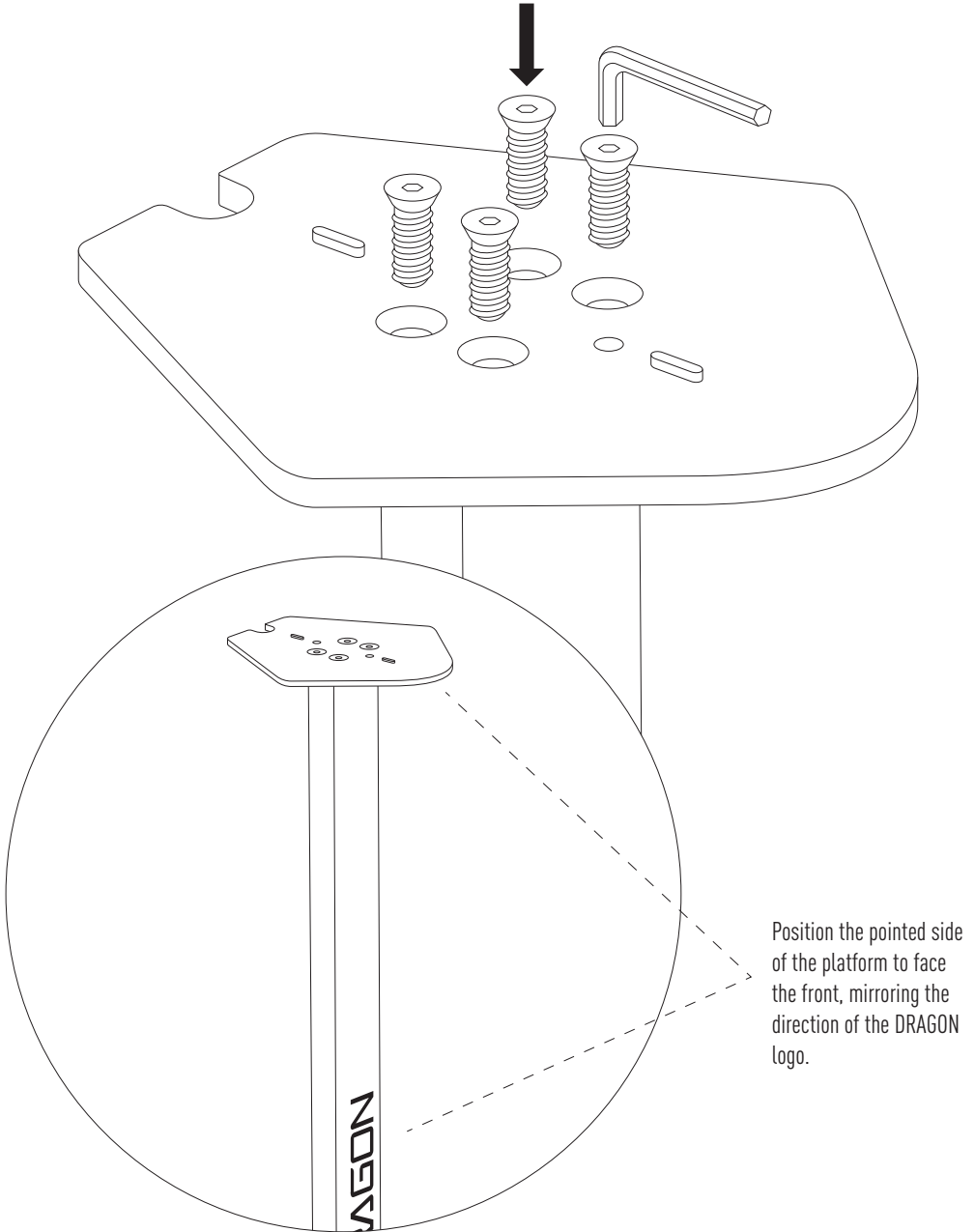
2B Installation

Pass the power cable through the base and pole of the inverted stand.



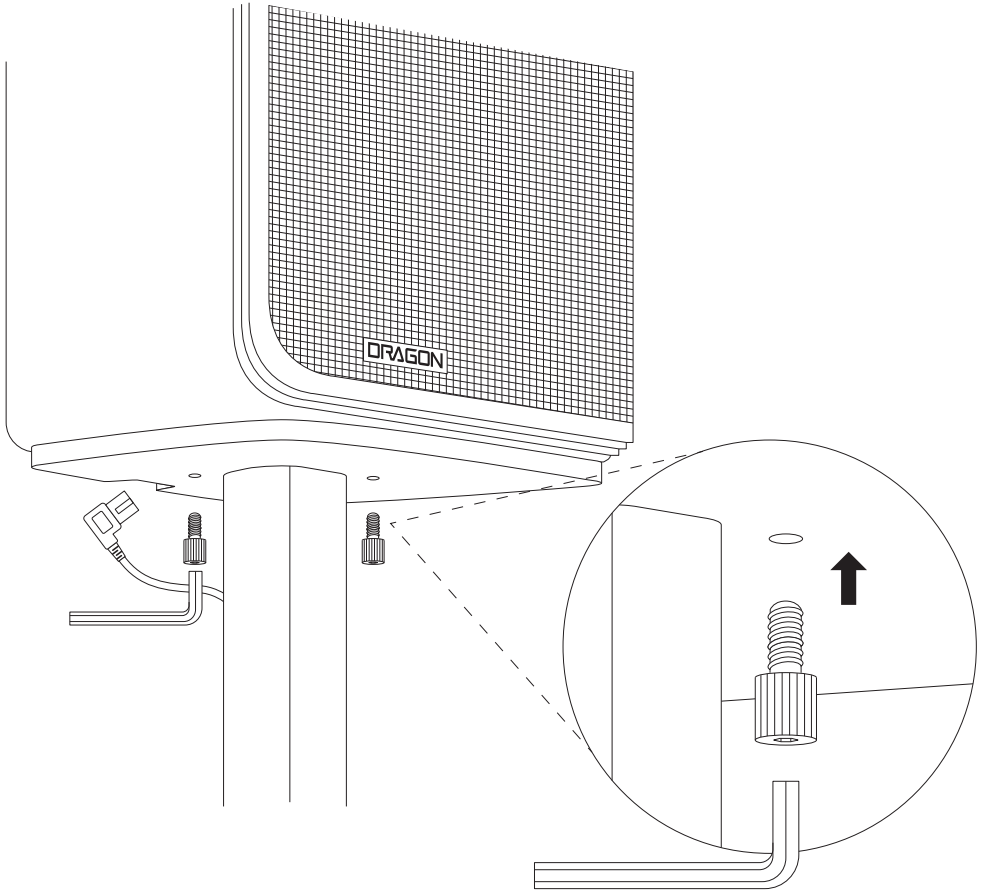
2C Installation

Secure speaker platform and pole by fastening 4 screws at the top.



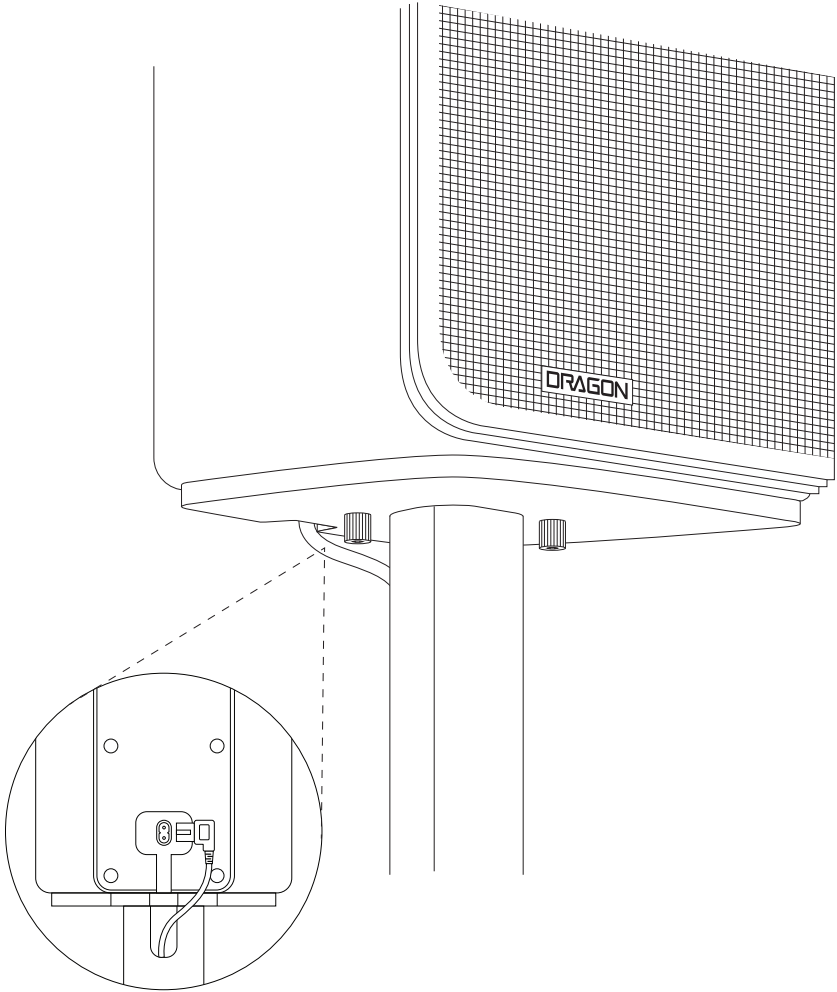
2E Installation

Place the DRAGON Surround Speaker on the platform, then secure it with two bottom-mounted screws using an Allen key.



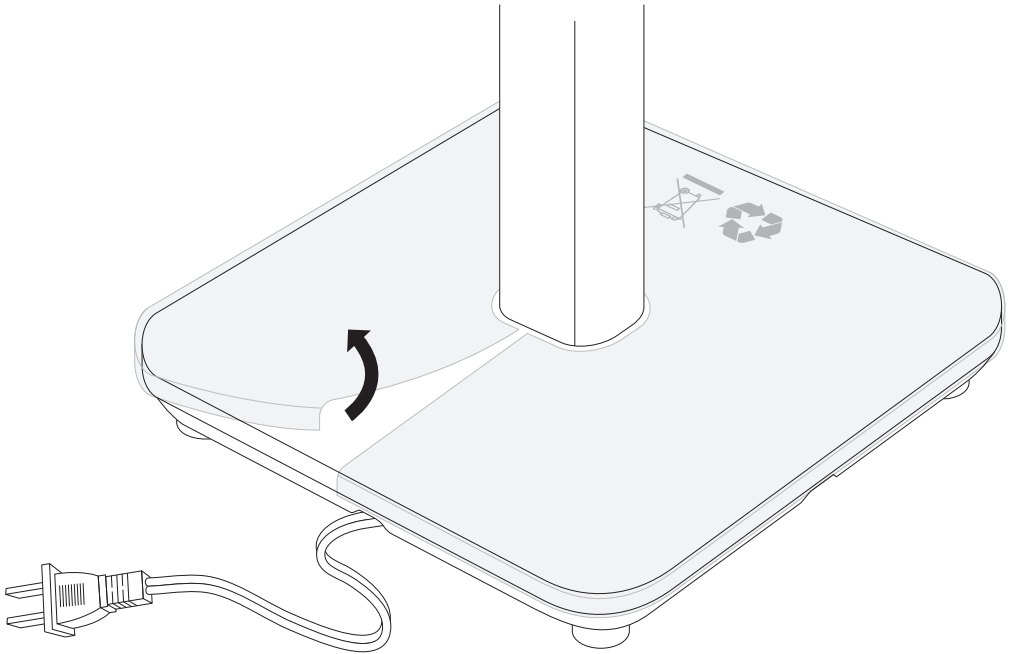
2F Installation

Connect Power Cable to the back of DRAGON Surround Speaker.



26 Installation

Remove the base plastic cover.



3 Warranty Information

LIMITED WARRANTY (U.S. Only)

Nakamichi LLC, maker of Nakamichi® branded products ("Nakamichi"), provides the following limited warranty for certain Nakamichi products ("Product(s)") to the original purchaser. This warranty assures that the Products will be free from defects in material and workmanship under normal use during the Applicable Warranty Period(s) listed below, which starts from the date of original purchase. To avail of this limited warranty, the Products must be purchased from Nakamichi or an authorized seller, as permitted by law. Only authorized sellers, following Nakamichi's policies, procedures, and quality control standards, legitimately sell Nakamichi Products. Warranty claims from purchasers who bought Products from unauthorized sellers, including unauthorized Internet sites, may be rejected by Nakamichi.

What We Will Do:

In the event of a valid warranty claim after investigation by Nakamichi, we will replace any defective Product part free of charge.

Warranty Period:

The Nakamichi Product is covered by a five (5) years of limited warranty.

How to Get Warranty Service:

For warranty service assistance, purchasers with a Product defect claim should call Nakamichi at 1-415-888-9626. We will discuss the issue with you, and upon confirming that the Product is under warranty, replacement parts will be shipped to you at no cost within 3 business days. However, please note that the costs associated with removing and replacing defective parts from your Nakamichi Product are not covered by this limited warranty. If a repair technician is required, you will be responsible for any labor charges incurred.

Additional Exclusions:

Normal wear and tear, damage due to misuse, alterations to the Product, negligence, or any modification made to your Nakamichi Product will render this limited warranty void. Improper installation, exceeding the stated weight capacity, or any form of misuse or abuse will also void this warranty. Nakamichi Products are designed solely for indoor use, and any outdoor use will nullify this limited warranty unless explicitly marked for outdoor use by Nakamichi. Additionally, the limited warranty for wall and ceiling mounts becomes void if the mount is relocated from its initial installation.

Limitation of Liability:

This limited warranty represents the extent of warranties provided for Nakamichi Products. Any applicable implied warranties, including implied warranties of merchantability or fitness for a particular purpose, are limited to the duration of this warranty. Some states do not allow limitations on how long an implied warranty lasts, so the above limitation may not apply to you. Nakamichi shall not be liable for any special, incidental, or consequential damages (e.g., cost of repairing or replacing other property which may be damaged when the Product does not work properly) arising from breach of this limited warranty, breach of contract, or strict liability. Some states do not allow the exclusion or limitation of incidental or consequential damages, so the above limitation or exclusion may not apply to you. This warranty provides you with specific legal rights, and you may have other rights that vary from state to state.

DRAGON CONCIERGE

If you have any questions or comments, you may reach us at the following:

Visit our website at www.dragon.nakamichi-usa.com

Email us at dragonvip@nakamichi-usa.com

Phone Support: +1 (415) 888 9626 (Weekdays 10am - 6:45pm PST; Saturday 10am - 4:45pm PST)

Join our Community: community.nakamichi-usa.com


VIDEO INSTRUCTIONS

bit.ly/speaker-stands-installation



SPEAK TO OUR DRAGON CONCIERGE BASED IN CALIFORNIA

 dragonvip@nakamichi-usa.com

 (415) 888 9626



(Weekdays 10am - 6:45pm PST; Saturday 10am - 4:45pm PST)

NAKAMICHI LLC. ALL RIGHTS RESERVED.